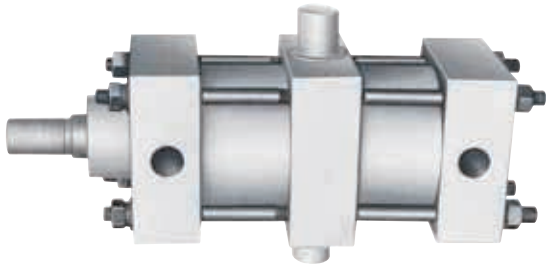
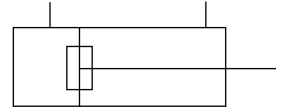


JB 系列冶金气缸

Heavy cylinder for metal industrial



图形符号 Graphical symbols



产品特点 Features

单活塞杆，活塞双向作用、具有固定缓冲。符合JB1444~1448-74标准，目前冶金行业广泛应用。性能先进、经久耐用。各种安装形式适合不同用户需要。

Single piston rod, piston action both directions, with fixed cushion, conforming to standard in JB1444~1448-74 currently applied widely in metallurgical industry, featuring advanced level performance and along working life. Available in various installation modes to suit different customer needs.

型号注释 Order Code

JB **80** x **100** - **B**

冶金设备用气缸 / cylinder for metal industrial

缸径 / bore

行程 / Stroke

安装形式代号 Install option

B-中间轴销支承安装型 / B-middle mounting adjustable

G-底座安装型 / G-foot mouting

f-尾部法兰安装型 / f-flange foot mounting

F-头部法兰安装型 / F-flange head mounting

S-尾部单耳环安装型 / S-swivel foot mounting

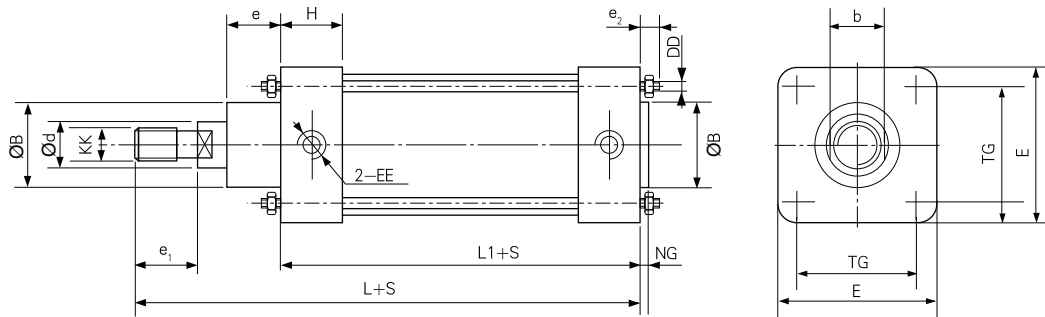
不注代号为基本型 / blank: normal type

技术参数 Specification

项目 / Item	参数 / Specification
工作压力 / Working pressure range (MPa)	0.2~1
工作温度 / Working temp. (°C)	-5~50
活塞运动速度 / Piston speed (mm/s)	50~500
工作介质 / Working medium	干燥洁净含油雾的压缩空气 / Dry and clean compressed air with lubricant

外形尺寸 Outlook & Dimension

基本型 Basic Type



符号 Symbol	缸径 Bore	ØB	d	KK	L	L1	EE	H	e	e1	e2	DD	NG	E	TG	b
	80	55	32	M20 × 1.5	240	135	M14 × 1.5	38.5	37	35	30	M12	0	115	85	27
	100	55	32	M20 × 1.5	240	135	M14 × 1.5	33.5	39	35	30	M12	0	130	100	27
	125	65	40	M24 × 2	310	180	M18 × 1.5	50	40	40	30	M16	0	160	120	32
	160	80	40	M24 × 2	310	180	M18 × 1.5	45	47	40	25	M16	0	190	150	32
	180	85	50	M30 × 2	350	190	M18 × 1.5	48	55	50	25	M20	5	240	170	41
	200	85	50	M30 × 2	350	190	M18 × 1.5	48	55	50	25	M20	5	240	190	41
	250	110	70	M42 × 3	450	240	M27 × 2	74	65	60	30	M24	5	290	230	55
	320	125	90	M56 × 4	520	260	M33 × 2	70	83	70	30	M30	5	350	280	75
	400	125	90	M56 × 4	520	260	M33 × 2	70	83	70	40	M36	5	430	350	75